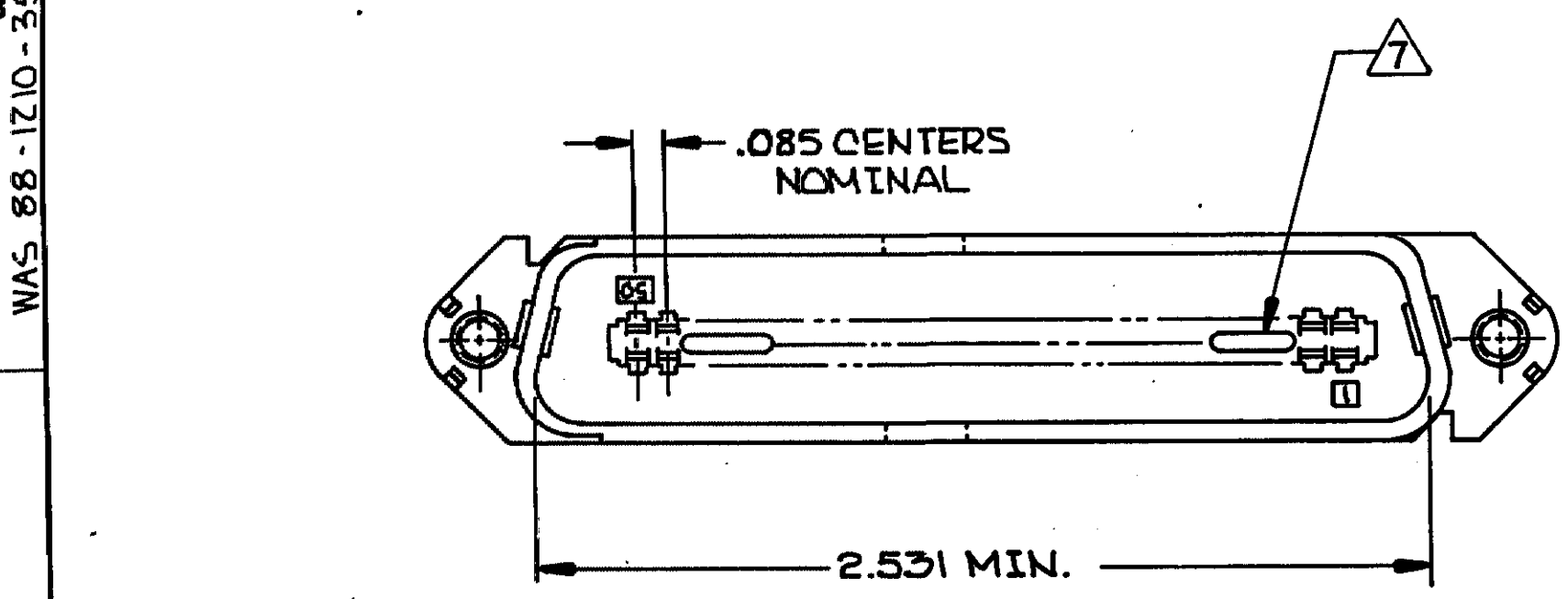
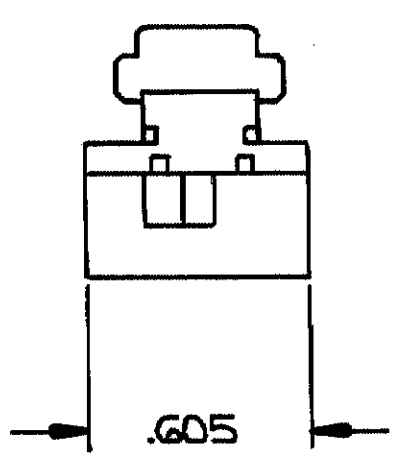
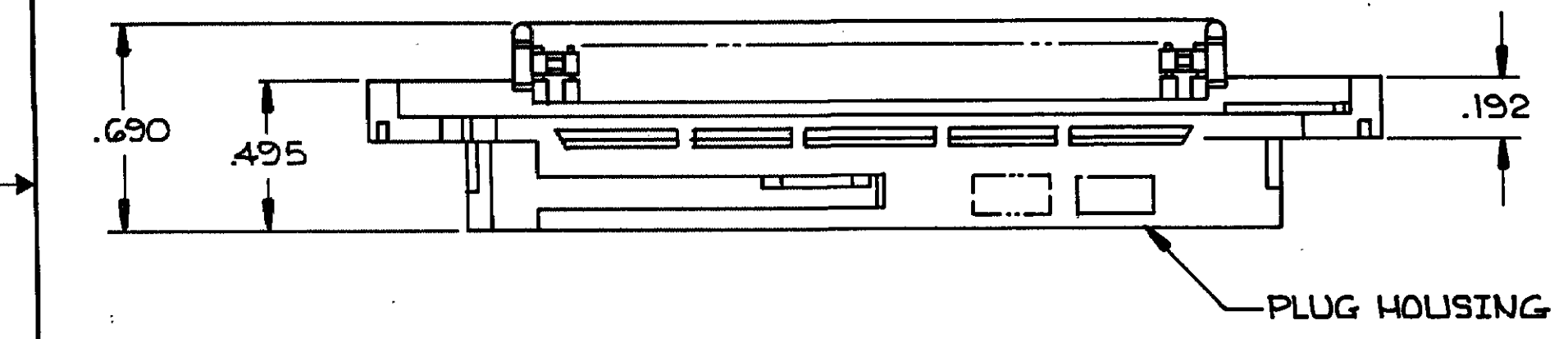
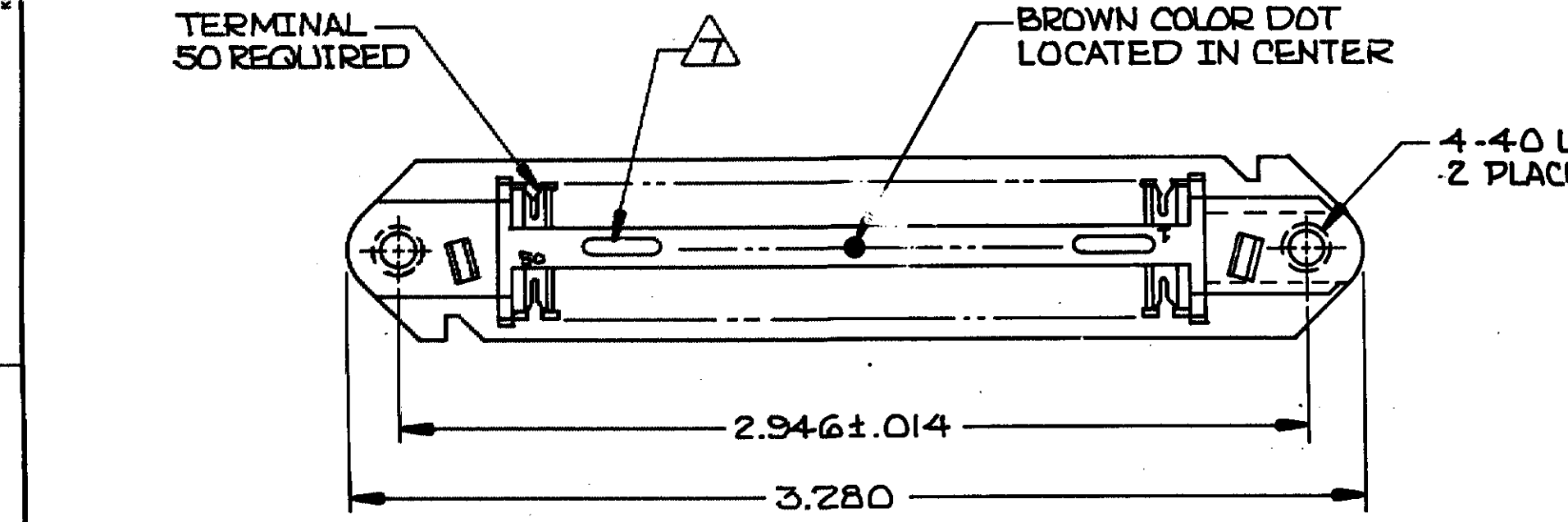


THIS DRAWING IS UNPUBLISHED. RELEASED FOR PUBLICATION, 19
 © COPYRIGHT 19 BY AMP INCORPORATED, HARRISBURG, PA. ALL INTERNATIONAL RIGHTS RESERVED. AMP PRODUCTS MAY BE COVERED BY U.S. AND FOREIGN PATENTS AND/OR PATENTS PENDING.

LOC	DIST	P	F	ZONE	LTR	DESCRIPTION	DATE	APPD
AA	20					RLSD; NPI C88-93	7/2/88	APPD



1. THE CONTACT SURFACES OF THE TERMINALS ARE COATED WITH LUBRICANT.
2. ALL DIMENSIONS SHOWN ARE MAXIMUM UNLESS OTHERWISE SPECIFIED.
3. MATERIAL: HOUSING - POLYPHENYLENE, BLACK. TERMINALS - GOLD OVER NICKEL PLATED HIGH STRENGTH COPPER ALLOY.
4. WIRE SIZE: 22 AWG SOLID OR STRANDED COPPER CONDUCTORS. INSULATION DIAMETER OF .045-.056 IS ACCEPTABLE FOR MOST APPLICATIONS.
5. SEE PRODUCT SPECIFICATION 108-6005 FOR PERFORMANCE SPECIFICATIONS.
6. 100 ASSEMBLIES SHIPPED BULK PACKAGED.
7. CORING MAY OR MAY NOT APPEAR AND IS AT THE DISCRETION OF AMP INCORPORATED.

556039-1
PART NO

UNLESS OTHERWISE SPECIFIED DIMENSIONS ARE IN INCHES TOLERANCES ON	DR	AMP INCORPORATED Harrisburg, Pa. 17105		
	CHK	NAME		
2 PL DEC ±	APPD	PLUG ASSEMBLY, 50 POSITION, F SLOT, SCREW LOCK, CHAMP-LOK®		
3 PL DEC ±	APPD	SIZE	FSCM NO	DRAWING NO
ANGLES ±	PRODUCT SPEC	C	00779	556039
MATERIAL	APPLICATION SPEC	SCALE	SHEET 1 OF 1	
FINISH	WEIGHT	2:1		

WAS 88-1210-35-1